

Solutions for a green future

INSPECTION CHAMBER
CD14R01



www.politejo.com

The best thermoplastic solutions for infrastructure networks



Politejo Group was founded in 1978, as an industry specialized in the manufacture of thermoplastic solutions and its main activity is the production of pipes and plastic accessories for the water supply, waste water, irrigation, electricity and telecommunications.

Our strategy is based on the constant innovation of products and services, with a skilled team, able to understand the needs associated with the various sectors and present highly reliable solutions, longevity that allow the conservation of water resources and the environment.

The success of Politejo Group is based on the profile of its employees, with a family-oriented management, due to the strategic location of its manufacturing units and their complete solutions.

This profile enabled a notable growth throughout the last 40 years, and currently Politejo Group is present in Angola, Brazil, Spain, Mozambique and Portugal, with a view to expanding to new locations.

INSPECTION CHAMBER



The Ambidur manholes manufactured by the Politejo Group, by injection moulding process in accordance with EN 13598-2, are the ideal solution for non-pressure drainage systems, and are mainly used for rainwater, domestic wastewater and industrial discharges.

They were developed with the aim of solving serious problems in sanitation works, ensuring 100% water tightness, simple and fast installation, and reducing the cost of installation and operation.

General features

Material: PP / PVC-u

Adjustable height: 700 to 2000 mm

Nominal diameter: 400 mm

Useful diameter input: 315 mm

No. outputs / No. inputs: 1/3

Nominal connection diameter: 125/160/200 mm

Type of pipes: PP / PVC / HDPE / Other

Telescopic system: Adjustable to the floor slope



Main advantages

Time, security and ease of installation

- Reduced installation time;
- Low weight and easy handling;
- Reduction of heavy machinery;
- Reduction of risk for workers;
- Reduction of manpower;
- Ideal for high groundwater levels.

Durabilidad

- Service life in excess of 50 years;
- High flexibility;
- Excellent resistance:
 - Mechanics;
 - Chemistry (PH 2 to 12);
 - Temperature (up to 90°C);
 - Abrasive wear;
 - Corrosion.

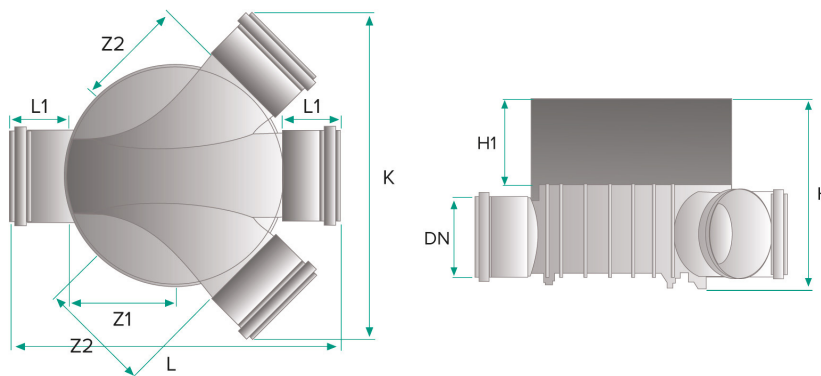
Eco-friendly solution

- 100% Watertight - Less volume of water to treat;
- Leak resistant - Prevention of soil and groundwater contamination.



Ambidur inspection pit base

Ambidur inspection pit base

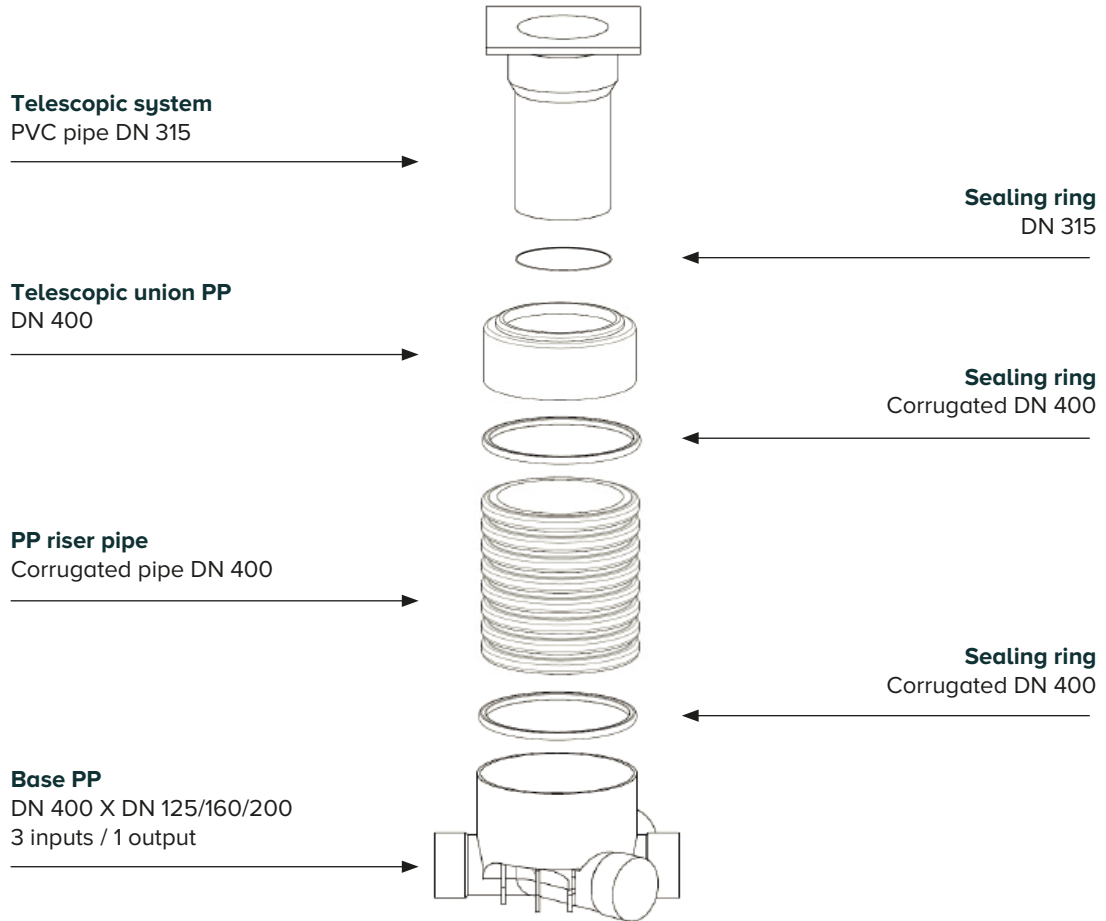


DN	K (mm)	L (mm)	L1 (mm)	Z1 (mm)	Z2 (mm)	H (mm)	H1 (mm)
160*	618	660	117	206	213	372	163

Adapted for any type of pipe | * To connect to DN125, a 160x125 reduction is required.

System components

Ambidur inspection boxes are composed of the following elements:

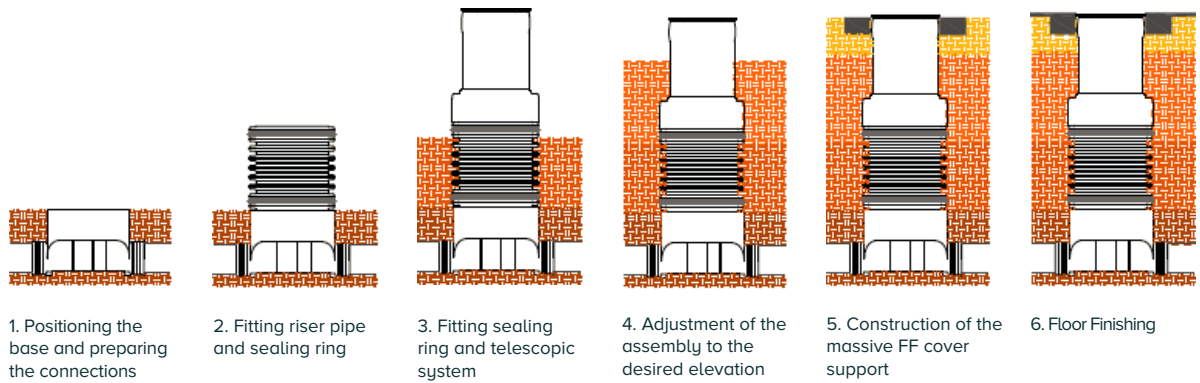


Lift tube length (mm)	Total height of the inspection pit (m)
400	0,70 - 1,20
800	1,20 - 1,60
1200	1,60 - 2,00
1600	2,00 - 2,40
2000	2,40 - 2,80

Installation

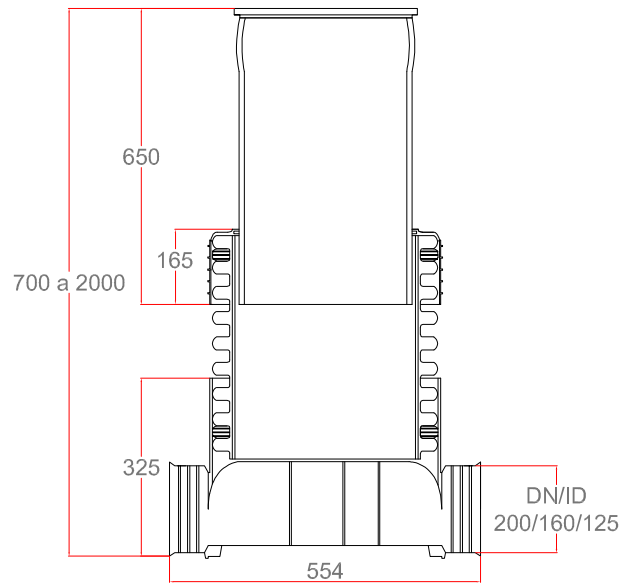
Ambidur manholes are intended for pedestrian or traffic areas, and in accordance with the EN 124 standard it is recommended that class B125 or D400 covers be used, respectively.

The installation work for Ambidur manholes must comply with the EN 1610 standard. Compatible with all types of soil, which must be compacted in layers.

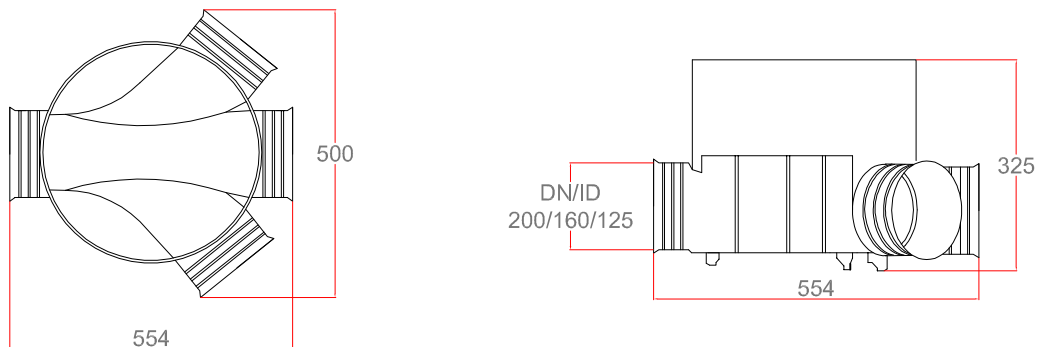


Technical drawing

The general dimensions of the Ambidur inspection wall boxes are shown:



Sectional view of the assembly



View of the base

Leak test

Ambidur manholes pass with flying colours the tests defined in the general regulations for public and building systems for the distribution of waste water, approved by Royal Decree 23/95 and carried out in accordance with standard EN 1610.

Maintenance and inspection

Due to their size, Ambidur inspection boxes do not allow human access for periodic inspections and maintenance (harmful to human health).

These operations will be carried out at pavement level using appropriate equipment, such as video inspection systems, mechanical or pressurised water jet systems.

This safeguards the operators' safety and guarantees greater efficiency in the cleaning process.

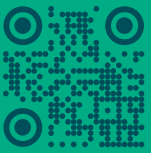
Marking

Ambidur inspection boxes are marked in accordance with the EN 13598 standard.

- Standard: EN 13598-2
- Manufacturer: Politejo
- Application code: U
- Nominal Diameter: 400
- Material: PP
- Production information: Production batch
- Maximum permitted depth of the water table in relation to the bottom: 2 m
- Maximum installation depth: 2 m



Solutions for
a green future



www.politejo.com
geral@politejo.com

